



MultiView 9D Cat5 Distribution Amplifier

Quick Start Guide V1.00

QSG-DA9-V1.00
Apr 2019

In this guide

About your Multiview D9	1
Cabling	1
Multiple devices	1
Quick start	2
Troubleshooting and FAQs	3
No video signal or poor video quality at the transmitter local port or at the receiver	3
Poor audio quality	3
Serial communication doesn't work correctly.	3
Cabling	4
Contact us.....	5

About your Multiview D9

The Magenta MultiView Series System extends video signals over ordinary Category 5 cable. All models use a transmitter-to-receiver setup.

This device is not intended for, nor does it support, distribution through an Ethernet network. Do not connect this device to any sort of networking or telecommunications equipment.

Cabling

This device is compatible with Cat5/5e/6 data cabling as well as skew free CAT5/5e cabling manufactured for video applications. Note that some skew free Cat5 is specific to a particular vendor and is not compatible with our products.

Please ensure any skew free CAT5 cable is non-proprietary prior to purchase/ installation.

CAT6 cable, due to the manufacture method, can exhibit much greater skew than standard CAT5/5e and may require skew compensation beyond what the standard product offers. Please contact Magenta Research for assistance.

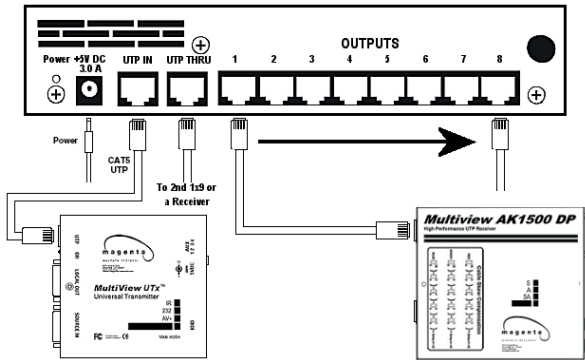
CAT5/5e/6 cabling for the Magenta MultiView™ Series must be pinned to the TIA-EIA T568B wiring specification. We recommend that all CAT5 cables be pre-terminated and tested. Cables terminated on-site or in an existing infrastructure should be tested before use to ensure compliance with the TIA-EIA T568B specification. Using incorrectly terminated CAT5 cables can damage your device.

Multiple devices

The MultiView 9D 1x9 Distribution Amp utilizes industry standard CAT5 cabling to connect a MultiView transmitter and receivers.

Additional 9D 1x9 Distribution Amps may be cascaded via the UTP THRU output or any other output if necessary.

Quick start



1. Connect the RJ-45 cable from a MultiView transmitter unit or other MultiView 9D 1x9 Video Distribution Amp into the port labeled UTP IN.
2. Connect RJ-45 cables from MultiView receiver units into the ports labeled OUTPUTS.
3. The port labeled UTP THRU may be used to cascade to other MultiView 9D 1x9 Video Distribution Amps or can be used with a MultiView receiver.
4. Connect the power supply to the unit.
5. Connect the included ground cable to the rear gold thumbscrew and the other end to a suitable earth ground. The grounding is required in instances where LCD monitors are used that do not provide a ground via the DC power adapter. Failure to connect the ground cable may result in loss of video signals.

Troubleshooting and FAQs

In most cases, nearly every issue with the MultiView Series can be resolved by checking the CAT5 termination and making sure that it's pinned to the TIA/EIA 568B wiring specification. However, there may be other problems that cause the system to not perform as it's designed. Below are solutions to the most common installation errors.

No video signal or poor video quality at the transmitter local port or at the receiver

1. Check that all units are powered.
2. Ensure EQ adjustment on receiver is set correctly.
3. Make sure the CAT5 cable is terminated correctly per the TIA/EIA 568B wiring specification.
4. Is the display device powered on and functioning?
5. Check to ensure display settings (resolution, refresh rate, etc) are compatible with input signal.

Poor audio quality

1. Powered speakers are required. Make sure speaker power is ON.
2. Check input source levels from the source device. Make sure the audio source is not overdriven or underdriven.
3. Audio is summed left and right for "A" versions. If using a single channel, both audio inputs must be connected at the transmitter end for full audio gain. Audio is line level.
4. SA serial//audio units support full stereo line level. A high frequency noise may be heard if the Cat5 cable from the transmitter is disconnected, or the transmitter is not powered up. This is normal and will disappear once a complete link connection is made.

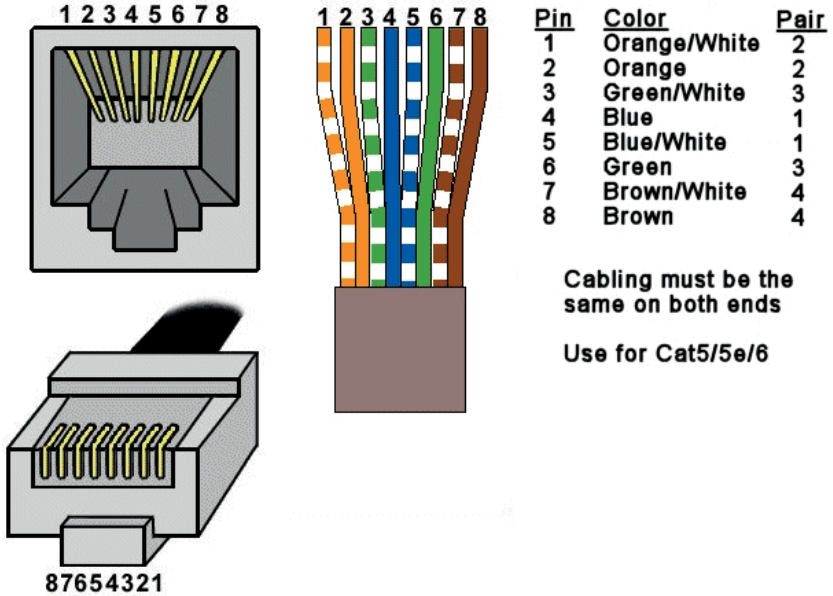
Serial communication doesn't work correctly.

1. Are the serial devices connected properly? Are the serial parameters correct for source/destination devices?
2. When using RS-232 transmitters or receivers in daisy chains, Cat5 switches, 9D Cat5 distribution amps, or Multi-output transmitters, the serial signal is a unidirectionally broadcast mode only. In this

mode, all other MultiView™ CAT5 Video System devices must be the simplex serial type.

Cabling

T568B CAT5 Specification



Contact us

tvone.com

info@tvone.com

Support NCSA: tech.usa@tvone.com

Support EMEA: tech.europe@tvone.com

Support Asia: tech.asia@tvone.com

Information in this document is subject to change without notice. No part of this publication may be reproduced, stored in a retrieval system, or transmitted in any form or any means electronic or mechanical, including photocopying and recording for any purpose other than the purchaser's personal use without the written permission of tvONE.

Copyright © 2019 tvONE™. All rights reserved.

Registered in the U.S. Patent and Trademark Office.