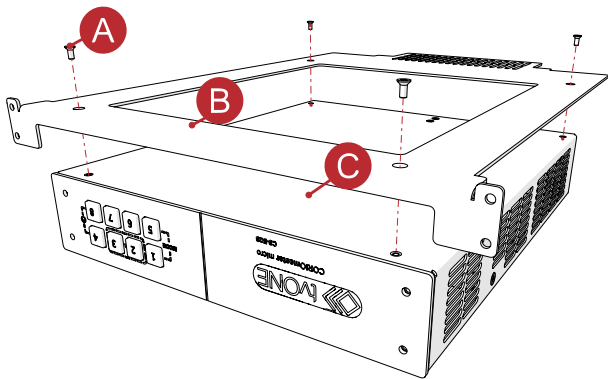


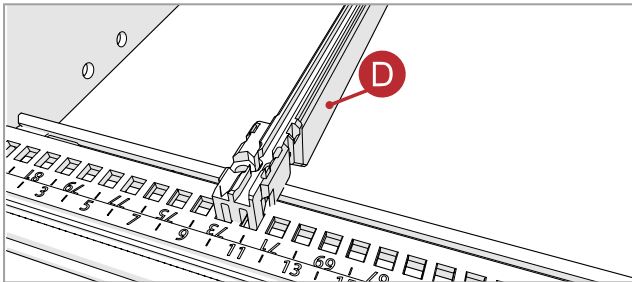
RM-503-1RK-MOD ONErack module for CORIOmaster micro™

1



Risk of overheating
 ! Do not attach the module to the top of your CORIOmaster micro.

2

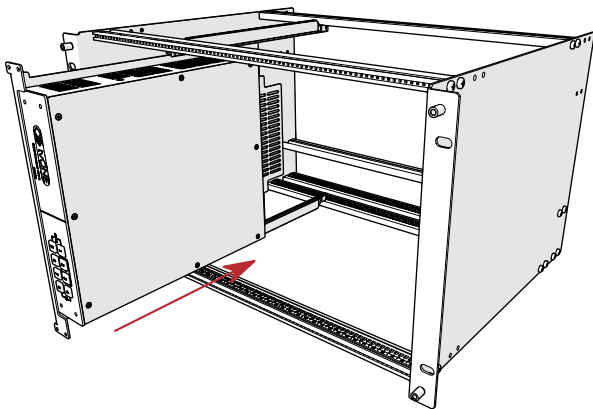


Clip the guide rails into the lower and upper mounting rails.

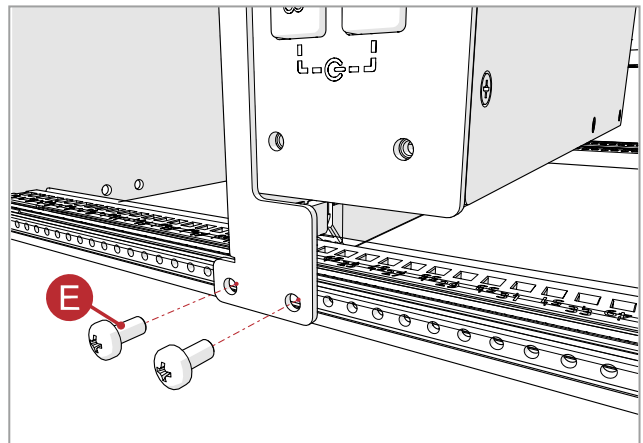
There are more detailed instructions included in the user guide for ONErack modules.

See the Downloads tab at tvone.com/onerack.

3



4



A M 2.5 screws (black) 4x

C CORIOmaster micro (not included)

B ONErack module for CORIOmaster micro

D Guide rails 2x

E M3 screws (black) 4x

Powering your CORIOmaster micro

The ONERack power supply does not support CORIOmaster micro. Use the power supply that came with your CORIOmaster micro. Make sure you leave enough cable for a service loop.

Regulatory compliance

This product is RoHS compliant.

Contact us

🌐 tvone.com

✉ info@tvone.com

✉ Support NCSA: tech.usa@tvone.com

✉ Support EMEA: tech.europe@tvone.com

✉ Support Asia: tech.asia@tvone.com

Information in this document is subject to change without notice. No part of this publication may be reproduced, stored in a retrieval system, or transmitted in any form or any means electronic or mechanical, including photocopying and recording for any purpose other than the purchaser's personal use without the written permission of tvONE.

Copyright © 2019 tvONE™. All rights reserved.

Registered in the U.S. Patent and Trademark Office.