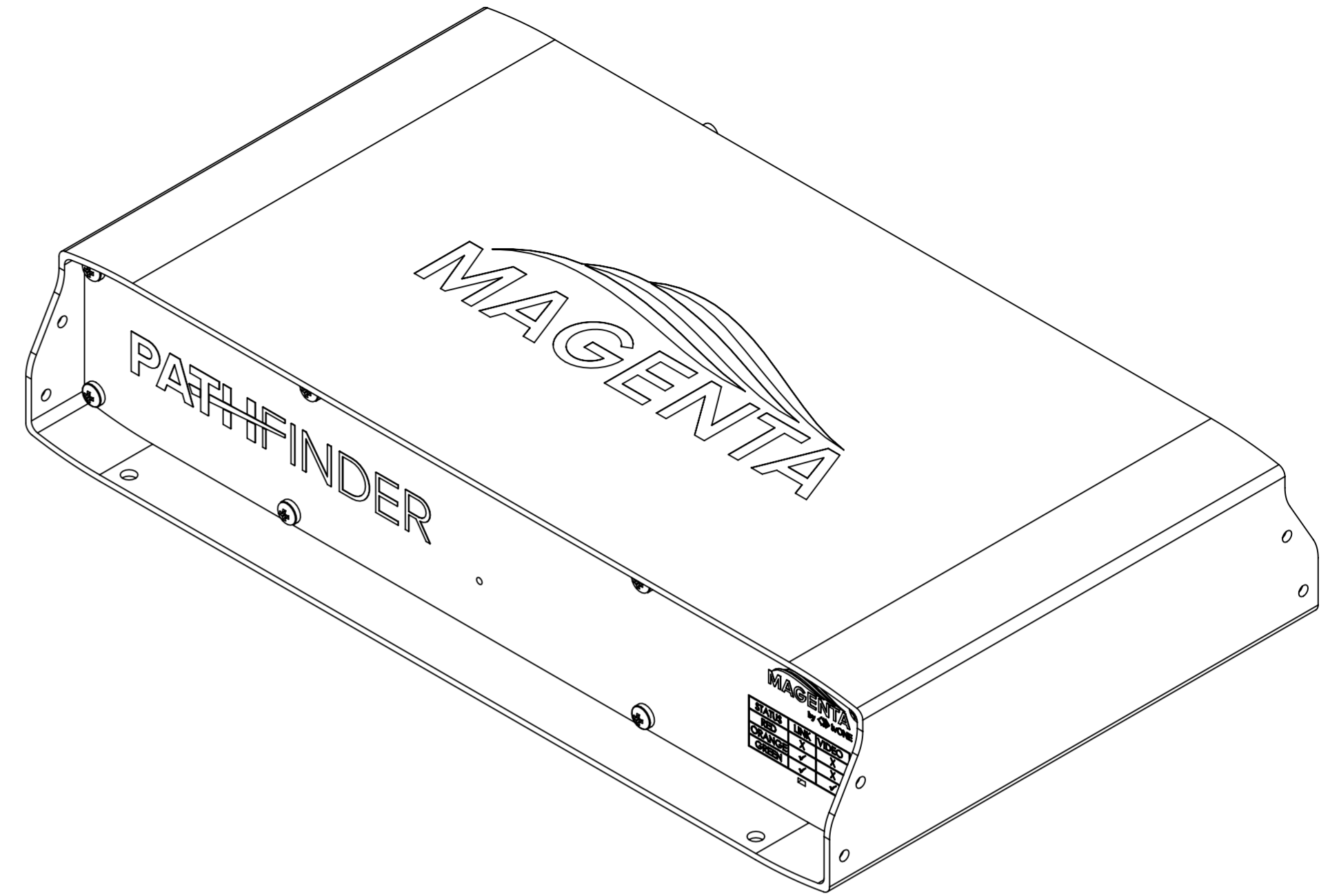
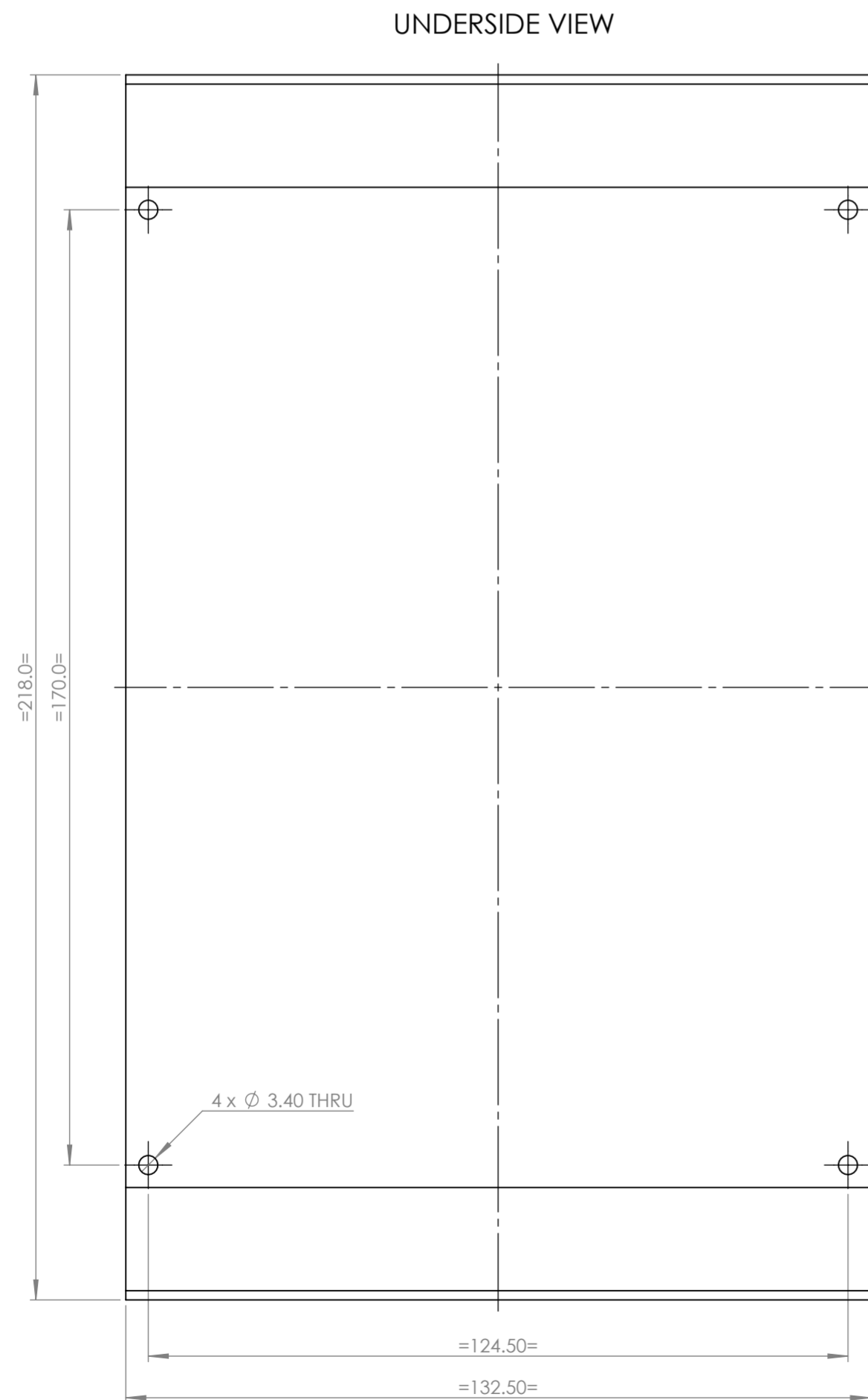
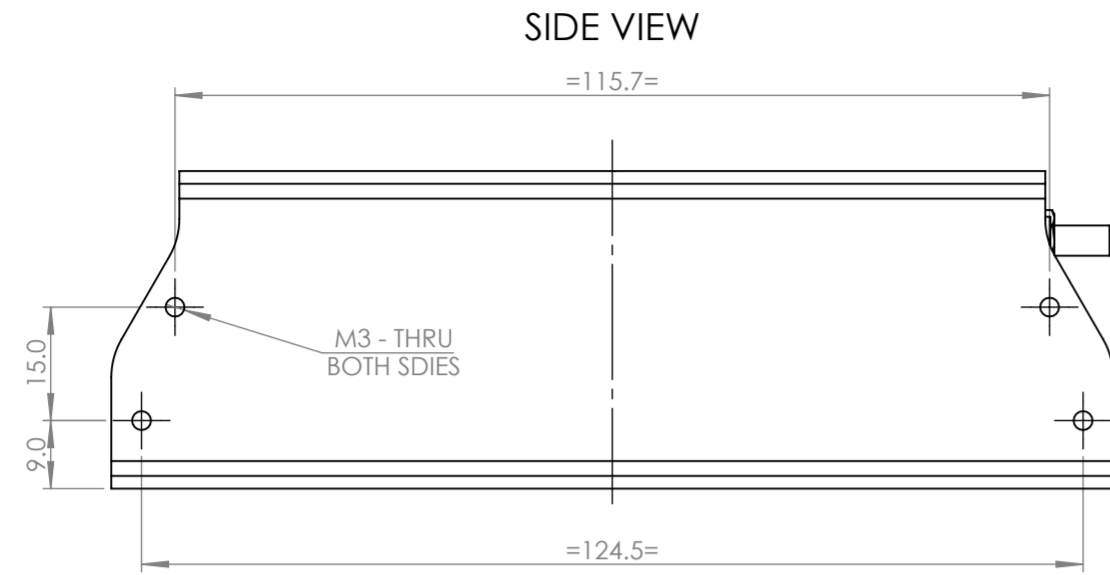




IF IN DOUBT ASK



© 2020	THIS DRAWING AND THE INFORMATION CONTAINED THEREIN, IS THE EXCLUSIVE INTELLECTUAL PROPERTY OF tvONE Ltd. AND MAY NOT BE COPIED OR DIVULGED TO A THIRD PARTY WITHOUT THE EXPRESS WRITTEN CONSENT OF tvONE Ltd.		REVISION	1
	DRAWN BY:	Nick Prior	19/03/2020	Description
MATERIAL:		DEBUR AND BREAK SHARP EDGES	KVM EXTENDER MOUNTING HOLE POSITIONS	
FINISH:			PART No:	A2
			MG-KVM-83 SERIES	
WEIGHT (grams):		 First Floor, Arcadia House 15 Forlease Road, Maidenhead, Berks. SL6 1RX +44 (0)1628 566820	THIRD ANGLE PROJECTION 	UNLESS OTHERWISE SPECIFIED DIMENSIONS ARE IN MILLIMETERS. TOLERANCES: LINEAR: +/- 0.20 ANGULAR: +/- 1° Ø: 0.05
		SCALE 1:1	DO NOT SCALE DRAWING	SHEET 1 OF 1